

# Service Schematics

## Introduction

### IMPORTANT:

This document is intended for use by authorized NOKIA service centers only.

“Service Schematics” was created with focus on customer care.  
The purpose of this document is to provide further technical repair information for NOKIA mobile phones on Level 3/4 service activities.  
It contains additional information such as e.g. “Component finder”.

Saving process time and improving the repair quality is the aim of this document.  
It is to be used additionally to the service manual and other training  
or service information such as Service Bulletins.

While every endeavour has been made to ensure the accuracy of this document, some errors may exist. If the reader finds any errors, NOKIA shall be notified in writing.

Please send E-Mail to: [TrainingAndVendor.Development@nokia.com](mailto:TrainingAndVendor.Development@nokia.com)

## RM-588/RM-594



### Table of Contents

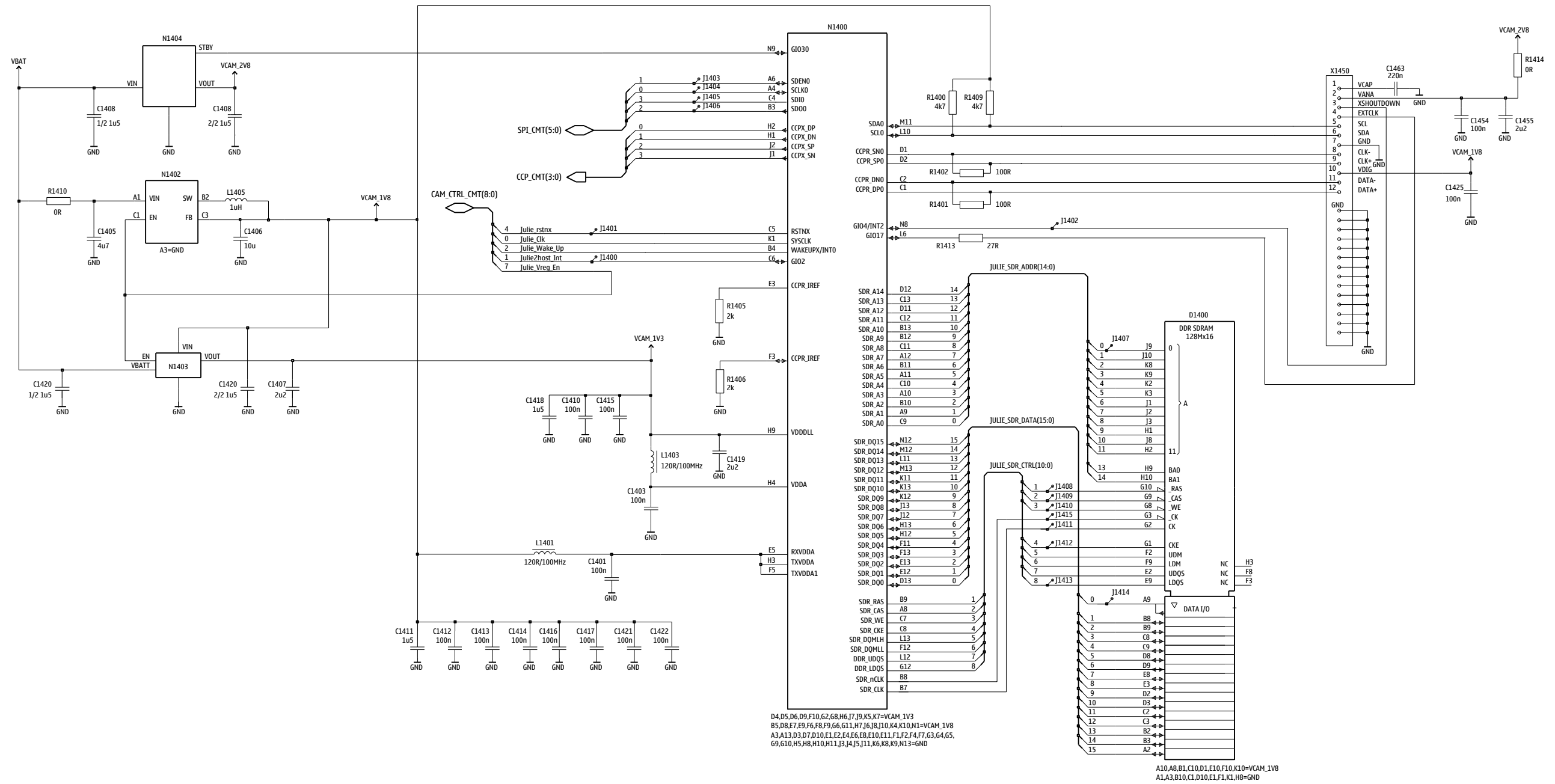
Front page	1
RAPIDO, Memory, USB, MMC, Sensors, Keyboard backlighting	2
Betty, Avilmas, Audio, AV Connector, Video, SIM	3
Camera	4
Display, User Interface	5
BTHFM, GPS	6
RF part	7
Component finder	8

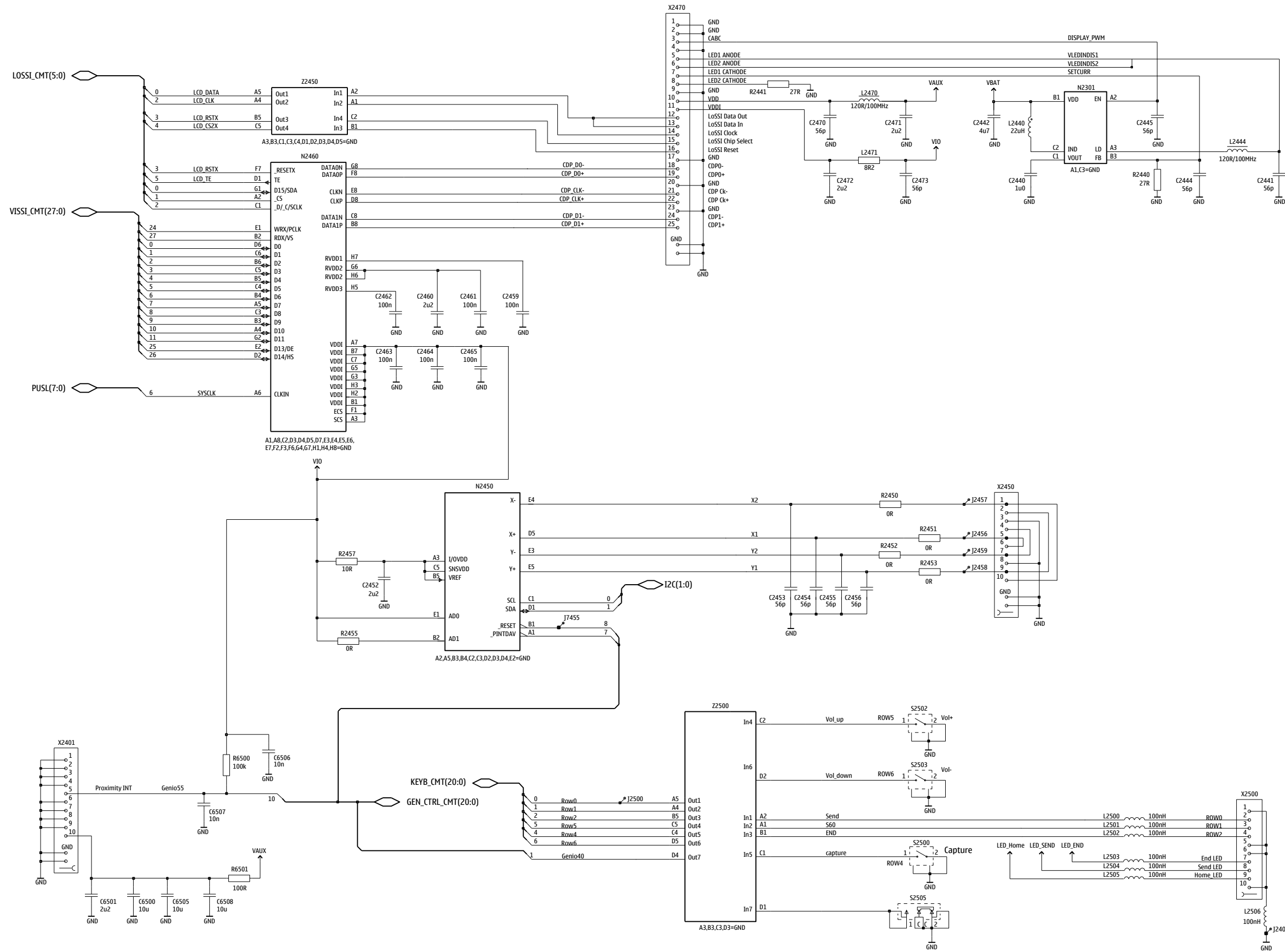
Copyright © NOKIA

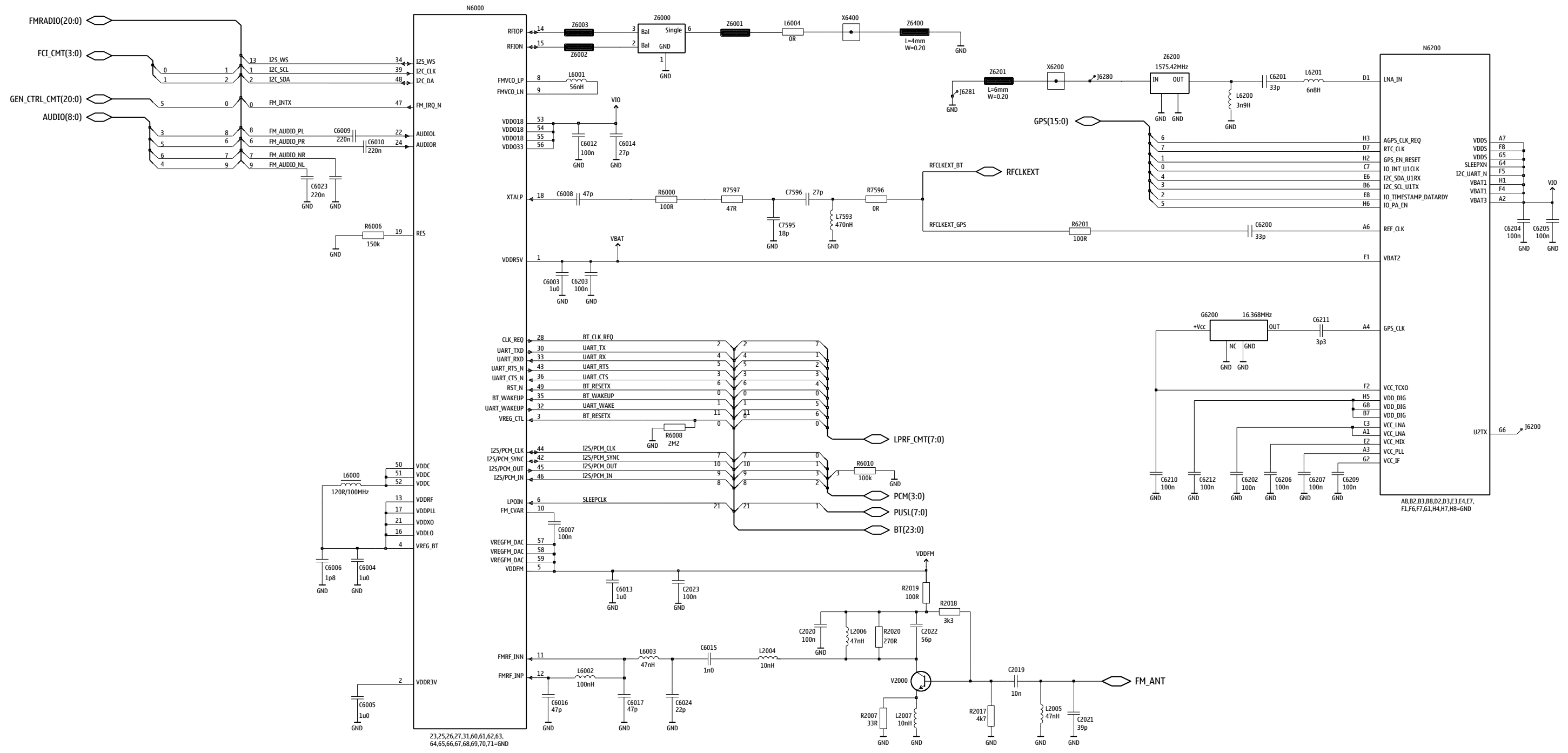
This material, including documentation and any related computer programs is protected by copyright, controlled by NOKIA. All rights are reserved. Copying, including reproducing, modifying, storing, adapting or translating any or all of this material requires the prior written consent of NOKIA. This material also contains company confidential information, which may not be disclosed to others without the prior written consent of NOKIA.

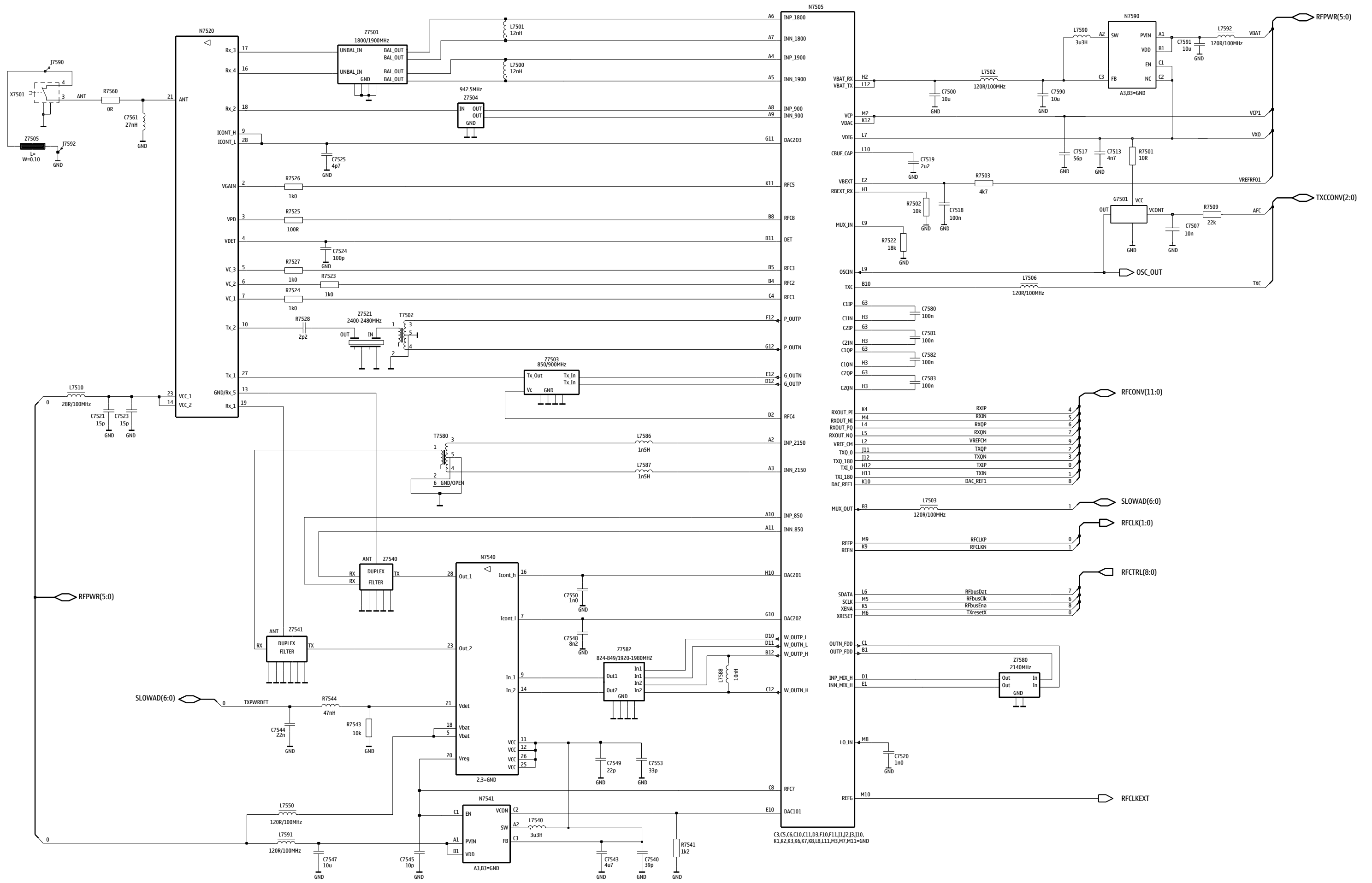












<b>A</b>	C2122	L5	C2459	E3	C3207	K7	C7550	C9	L6001	L3	R2007	Q6	R7526	B5	
A1400	Q3	C2123	L5	C2460	E3	C3301	Q7	C7553	D8	L6002	L2	R2010	R6	R7527	B6
A2000	Q6	C2124	K5	C2461	E3	C3305	R7	C7580	C2	L6003	L2	R2011	R6	R7528	D6
A2300	J4	C2125	K5	C2462	E4	C3306	Q7	C7581	B3	L6004	L2	R2017	Q6	R7541	B9
A2800	F6	C2126	K6	C2463	E4	C3307	R6	C7582	B2	L6200	Q8	R2018	Q6	R7543	C8
A3300	Q6	C2127	K6	C2464	F4	C6003	L3	C7583	B3	L6201	Q8	R2019	Q6	R7544	C8
A6000	L3	C2129	L6	C2465	E4	C6004	L3	C7590	D4	L7500	C4	R2020	Q6	R7560	B7
A6200	Q8	C2130	L6	C2470	S7	C6005	L3	C7591	D4	L7501	C4	R2071	T2	R7596	F2
A7500	C6	C2131	L5	C2471	S8	C6006	K3	C7595	E2	L7502	D4	R2100	S6	R7597	E2
<b>B</b>	C2132	L5	C2472	S7	C6007	L3	C7596	E2	L7503	B2	R2101	S5	<b>S</b>		
B2170	B7	C2133	L5	C2473	S7	C6008	K3	<b>D</b>	L7506	D3	R2120	R5	S2500	B1	
B2200	J4	C2137	R5	C2700	M9	C6009	K2	D1400	P3	L7510	D7	R2121	K5	S2502	Q1
<b>C</b>	C2158	L5	C2800	E7	C6010	K4	D2800	F5	L7540	C8	R2170	H4	S2503	N1	
C1401	R3	C2159	L4	C2801	H5	C6012	K4	D2850	I4	L7550	C9	R2200	K3	S2504	T2
C1403	Q4	C2170	B8	C2802	E5	C6013	K3	D3000	F8	L7586	C4	R2201	H4	S2505	G1
C1405	P4	C2173	H4	C2803	H5	C6014	L4	D3300	Q7	L7587	C4	R2300	B3	<b>T</b>	
C1406	O4	C2201	I3	C2804	G4	C6015	L2	<b>F</b>	L7588	D4	R2440	J2	T7502	D5	
C1407	R2	C2203	K3	C2805	H6	C6016	L2	F2000	S2	L7590	D5	R2441	S7	T7580	B5
C1408	O2	C2205	J4	C2806	E6	C6017	L2	<b>G</b>	L7591	C9	R2450	T6	<b>V</b>		
C1410	R2	C2211	I2	C2807	E4	C6022	L4	G6200	Q8	L7592	D5	R2451	T6	V2000	Q6
C1411	P4	C2213	I3	C2808	F4	C6023	K2	G7501	D3	L7593	F2	R2452	S5	<b>X</b>	
C1412	P4	C2215	I3	C2809	G4	C6024	L2	<b>L</b>	<b>M</b>	R2453	T5	X1450	Q3		
C1413	Q4	C2216	I4	C2810	E7	C6200	Q8	L1401	R3	M2110	S2	R2455	R4	X2010	T5
C1414	R4	C2217	K3	C2811	H7	C6201	Q8	L1403	R4	<b>N</b>	R2457	R4	X2060	Q1	
C1415	R3	C2220	J2	C2812	E6	C6202	Q8	L1405	O4	N1400	Q3	R2800	F4	X2070	C3
C1416	P3	C2222	I3	C2813	H5	C6203	R8	L2000	S1	N1402	O3	R2830	K4	X2401	T2
C1417	O3	C2225	I4	C2814	H5	C6204	Q8	L2004	Q5	N1403	R2	R2850	L6	X2450	S6
C1418	R2	C2226	I4	C2815	E6	C6205	R8	L2005	Q6	N1404	O2	R2851	L6	X2470	T8
C1419	P3	C2227	I3	C2816	G4	C6206	R8	L2006	Q6	N2121	K5	R2852	H2	X2500	D1
C1420	R2	C2228	I3	C2817	E7	C6207	Q8	L2007	Q5	N2122	R5	R2853	H2	X2700	N8
C1421	O3	C2231	J2	C2818	E5	C6209	R8	L2010	R5	N2200	J3	R2854	E5	X3200	J8
C1422	P2	C2232	I3	C2819	F4	C6210	R8	L2011	Q5	N2201	I5	R2856	H6	X3300	T8
C1425	Q4	C2235	J5	C2820	H6	C6211	Q8	L2100	S5	N2300	J5	R2857	H6	X6200	I9
C1454	Q2	C2236	I6	C2821	H5	C6212	R8	L2110	J2	N2301	I1	R2860	E4	X6400	J1
C1455	Q2	C2237	J2	C2822	E5	C6500	P6	L2111	K2	N2390	G4	R2861	E6	X7501	B4
C1463	P2	C2238	J3	C2823	H7	C6501	T2	L2121	K5	N2420	G2	R2862	I4	<b>Z</b>	
C2000	S1	C2239	I5	C2824	F7	C6503	K7	L2154	L4	N2450	R3	R2865	I4	Z2010	Q5
C2001	R1	C2240	I6	C2825	E6	C6505	Q6	L2155	L4	N2460	F3	R3201	L8	Z2450	S8
C2010	R5	C2303	J5	C2826	G7	C6506	S2	L2156	S8	N3200	L8	R3300	R7	Z2500	G2
C2012	Q5	C2304	J4	C2827	G7	C6507	S2	L2157	S7	N6000	L3	R3302	R7	Z3300	R7
C2013	Q5	C2307	I5	C2828	E4	C6508	Q6	L2202	I4	N6200	R8	R3303	R7	Z3301	R7
C2019	Q6	C2312	J5	C2829	F7	C7500	D2	L2205	J2	N6501	L7	R3304	J4	Z6000	L2
C2020	Q7	C2390	G4	C2852	I4	C7507	D3	L2206	I5	N7505	C3	R3305	J4	Z6200	Q8
C2021	Q6	C2391	H3	C3000	H7	C7513	C2	L2390	G3	N7520	C6	R6000	F2	Z7501	C5
C2022	Q7	C2392	G4	C3001	H8	C7517	B3	L2391	G3	N7540	D9	R6006	K3	Z7503	C5
C2023	Q7	C2393	G3	C3002	E8	C7518	B4	L2440	I2	N7541	B9	R6008	K2	Z7504	C4
C2071	C5	C2420	H2	C3003	E8	C7519	C2	L2444	I1	N7590	D4	R6010	M4	Z7521	D6
C2072	C5	C2421	G3	C3004	E9	C7520	C2	L2470	S8	<b>R</b>	R6201	F2	Z7540	D7	
C2073	C5	C2440	I2	C3005	H7	C7521	B7	L2471	S7	R1400	Q4	R6500	S2	Z7541	C7
C2074	C5	C2441	I1	C3006	H8	C7523	D7	L2500	E1	R1401	R2	R6501	P6	Z7580	B4
C2075	C5	C2442	J1	C3007	E7	C7524	C5	L2501	E1	R1402	R3	R7501	C2	Z7582	D4
C2076	C2	C2444	T7	C3008	H8	C7525	B5	L2502	E2	R1405	R3	R7502	B3		
C2077	H2	C2445	J1	C3009	E9	C7543	C8	L2503	C2	R1406	R3	R7503	B4		
C2110	J2	C2452	S4	C3100	L6	C7544	C9	L2504	C1	R1409	P4	R7509	D3		
C2111	K2	C2453	T6	C3200	L9	C7545	C9	L2505	C1	R1410	O3	R7522	D4		
C2112	J1	C2454	T5	C3201	L8	C7547	B9	L2506	E2	R1413	Q4	R7523	B6		
C2120	K5	C2455	S5	C3204	L8	C7548	C9	L3300	R7	R1414	P2	R7524	B6		
C2121	L5	C2456	T5	C3205	K9	C7549	D8	L6000	L4	R2000	S1	R7525	B5		

